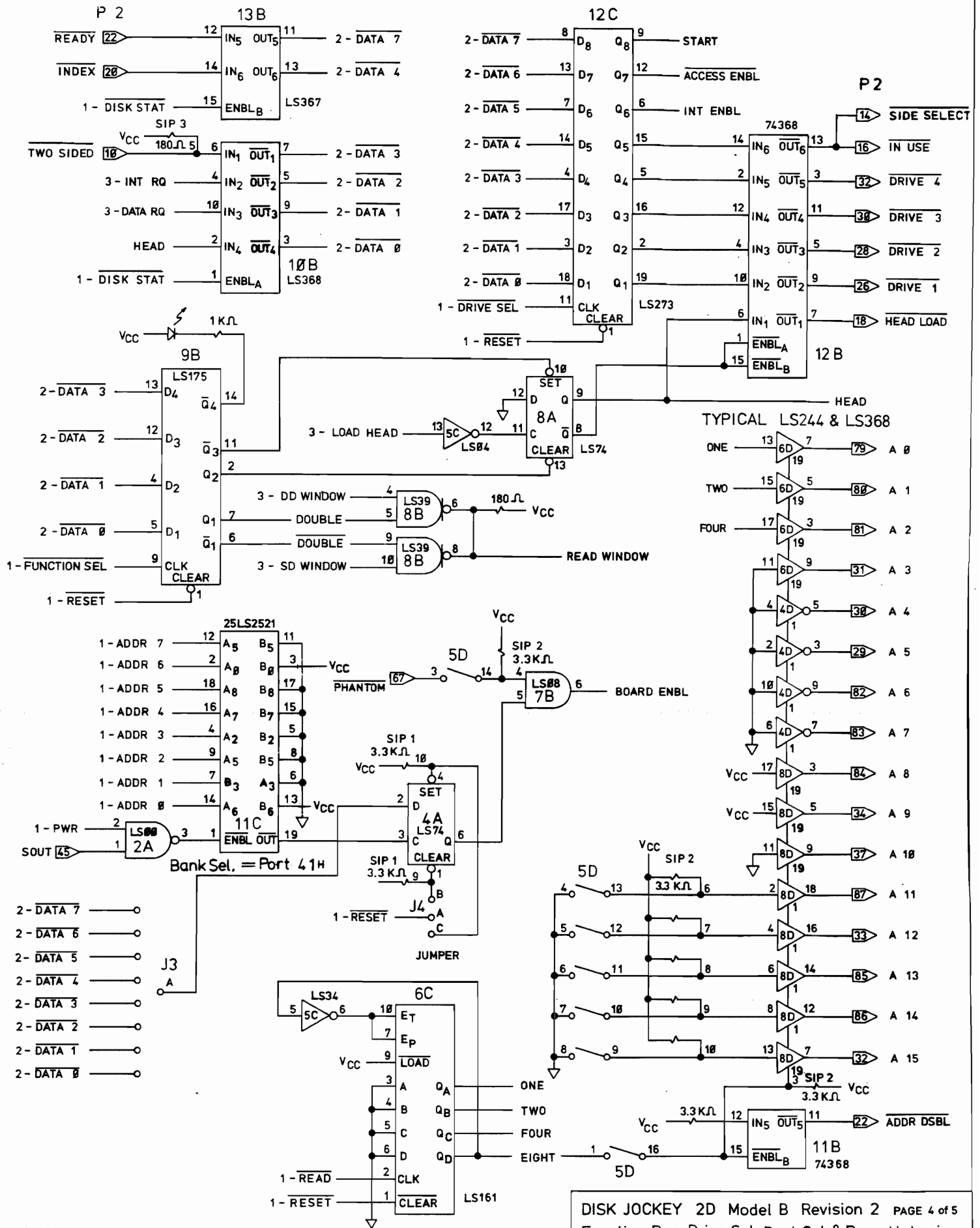
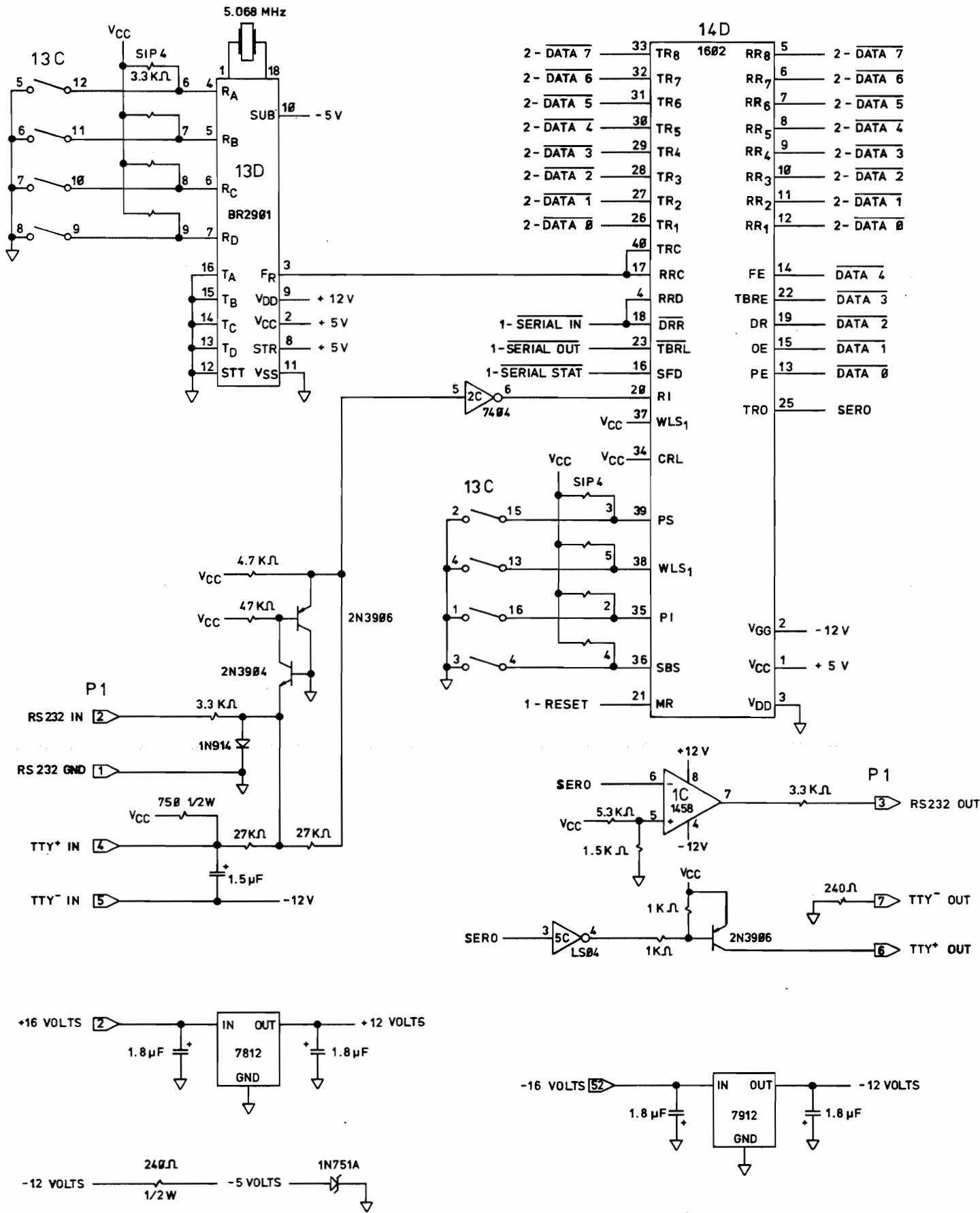


DISK JOCKEY 2D Model B Revision 2 PAGE 3 of 5  
Write Data & Separation Logic, FDC Controller





## PARTS LIST

[ ]	1	5" x 10" printed circuit board w/solder mask & legend	
[ ]	1	3.3 Ohm 1/4 watt 5% resistor	orange-orange-gold
[ ]	1	180 Ohm 1/4 watt 5% resistor	brown-grey-brown
[ ]	1	240 Ohm 1/4 watt 5% resistor	red-yellow-brown
[ ]	2	470 Ohm 1/4 watt 5% resistors	yellow-purple-brown
[ ]	1	750 Ohm 1/2 watt 5% resistor	purple-green-brown
[ ]	9	1k Ohm 1/4 watt 5% resistors	brown-black-red
		NOTE: On early versions of the silk screened legend on the circuit board, a 3.3k Ohm resistor is shown just to the right of IC 6300 at board position 8C. This is an error. This should be a 1k Ohm resistor.	
[ ]	1	1.5k Ohm 1/4 watt 5% resistor	brown-green-red
[ ]	5	3.3k Ohm 1/4 watt 5% resistors	orange-orange-red
[ ]	3	4.7k Ohm 1/4 watt 5% resistors	yellow-purple-red
[ ]	2	10k Ohm 1/4 watt 5% resistors	brown-black-orange
[ ]	1	14.0k Ohm 1/4 watt 1% resistor	brown-yellow- black-red
[ ]	1	16.2k Ohm 1/4 watt 1% resistor	brown-blue- red-red
[ ]	2	27k Ohm 1/4 watt 5% resistors	red-purple-orange
[ ]	1	47k Ohm 1/4 watt 5% resistor	yellow-purple-orange
[ ]	4	1M Ohm 1/4 watt 5% resistors	brown-black-green
[ ]	1	180 Ohm 1/8 watt 5% 9 resistor SIP array	SIP3
[ ]	1	1k Ohm 1/8 watt 5% 9 resistor SIP array	SIP1
[ ]	2	3.3k Ohm 1/8 watt 5% 9 resistor SIP array	SIP2, SIP4
[ ]	3	33 picofarad 5% silver mica capacitors	
[ ]	1	47 picofarad 2% silver mica capacitor	
[ ]	1	112 picofarad 2% silver mica capacitor	

## PARTS LIST

- [ ] 1 470 picofarad 5% silver mica capacitor
- [ ] 1 .001 microfarad ceramic disk capacitor
- [ ] 1 .01 microfarad mylar capacitor
- [ ] 4 1.0 - 2.0 microfarad dipped tantalum capacitor
- [ ] 6 1.0 - 4.7 microfarad axial lead tantalum capacitors
- [ ] 2 39 microfarad axial lead tantalum capacitors
- [ ] 16 ceramic disk capacitors - may vary in value from .01 to .1 microfarads depending on current supplies
- [ ] 1 Dual-in-line 50 conductor right angle header P1
- [ ] 1 Single-in-line 7 conductor right angle header P2
- [ ] 1 Heat sink for the 7805 regulator at bottom of board
- [ ] 4 6-32 5/16 pan head machine screws
- [ ] 4 6-32 1/4" hex machine nuts
- [ ] 1 5.0688 MHz HU/18 Crystal
- [ ] 1 10.0000 MHz HU/18 Crystal
- [ ] 2 8 position DIP switch arrays 5D,13C
- [ ] 4 1N914/4820-0201 signal diodes

NOTE: The silk screened legend on the circuit board shows a group of four diodes just above the 1791 controller at position 14C on the circuit board. These parts are not to be installed and are not furnished with the kit. These parts go with a version of the 1791 controller that Western Digital is not presently making.

- [ ] 1 RL209 light emitting diode
- [ ] 1 2N3904 transistor
- [ ] 2 2N3906 transistor
- [ ] 1 8 pin low-profile socket
- [ ] 16 14 pin low-profile sockets
- [ ] 13 16 pin low-profile sockets

## PARTS LIST

[ ]	3	18 pin low-profile sockets	
[ ]	7	20 pin low-profile sockets	
[ ]	1	24 pin low-profile socket	
[ ]	2	40 pin low-profile sockets	
[ ]	3	74LS00 quad 2-input NAND gate	2A, 3B, 5B
[ ]	1	74LS02 quad 2-input NOR gate	3A
[ ]	1	74LS04/LS14 hex inverter	5C
[ ]	1	7404 hex inverter	2C
[ ]	1	74LS08 quad 2-input AND gate	7B
[ ]	1	74LS10 triple 3-input NAND gate	7A
[ ]	1	74LS30 8-input NAND gate	7C
[ ]	1	74LS32 quad 2-input OR gate	4C
[ ]	1	7438/LS38 quad 2-input NAND buffer	8B
[ ]	5	74LS74 dual D type flip-flop	4A, 5A, 6A, 8A, 2B
[ ]	1	74LS123 dual monostable	2D
[ ]	1	74LS155 dual 1 of 4 decoder	6B
[ ]	1	74160/LS160/74161/LS161 4 bit counter	6C
[ ]	1	74165/74LS165 8 bit load shift register	4B
[ ]	1	74175/LS175 4 bit dual rail register	9B
[ ]	1	74LS240 octal tri-state inverting buffer	10D
[ ]	2	74LS244 octal tri-state buffer	6D, 8D
[ ]	1	74273/LS273 octal latch	12C
[ ]	1	74365/LS365/74367/LS367 hex tri-state buffer	4D
[ ]	1	74367/LS367 hex tri-state buffer	13B
[ ]	2	74368 hex tri-state inverting buffer	11B, 12B
[ ]	1	74368/LS368 tri-state inverting buffer	10B
[ ]	1	74LS373 octal tri-state buffer/latch	7D



## PARTS LIST

[ ]	1	74390/LS390 dual decade counter	3C
[ ]	1	81LS96/LS98 octal tri-state inverting buffer	9D
[ ]	1	25LS2521 octal comparator	11C
[ ]	1	MMI6300/6301/82S129/74S287 4 x 256 PROM	8C
[ ]	1	MMI6331/82S123/74S288 8 x 32 PROM	3D
[ ]	1	2708 8 x 1k EPROM	11D
[ ]	2	2114-3L 4 x 1k low power 300NS static RAM	9C,10C
[ ]	1	BR1941/2941/COM5016 dual baud rate generator	13D
[ ]	1	TR1602 UART	14D
[ ]	1	FD1791 dual density floppy disk controller	14B
[ ]	1	1448/4558 dual operational amplifier	1C
[ ]	2	7805 monolithic 5 volt 1 amp regulators	
[ ]	1	7812/78M12 monolithic 12 volt .5 amp regulator	
[ ]	1	79L05 monolithic -5 volt 100 ma regulator	
[ ]	1	7912/79M12 monolithic -12 volt regulator	

## SUBJECT INDEX

### A

$\bar{A}$  Register (CPU), 64, 65, 67  
A Register Bit Pattern, 68  
AENBL, 40

### B

$\bar{B}$ -C Register pair, 56, 61, 62, 67  
Bank Select  
    Bits, 20  
    Jumper options, 19  
    Jumpers, 20  
    Logic, 2, 3, 7, 18  
    Port, 18  
Baud Rate Selection, 3, 6, 25  
Baud Rate Switch Settings, 25  
Boot drive, 41  
Bootstrap Load, 16, 66, 69  
Bus Speed Setting, 24  
Bus speeds, 4, 24

### C

$\bar{C}$  Register (CPU), 54, 55, 56, 61, 62, 67  
CP/M directory, 17  
CRC check sum bytes, 65, 66  
CRC error line, 47  
Cable connection, 10  
Cable length, 10  
Check-out procedure, 14  
Cold Boot, 17  
Command register, 43  
Communication, 3, 6, 51  
Console device, 1, 51  
Console serial port, 6

### D

$\bar{D}$ ATARQ, 37  
DBOOT, 67  
DIP switches, 3, 4, 27  
DMA address, 56, 61, 62  
DMAST, 67  
DR (Data Ready) flag, 36  
DR bit, 53, 54, 55  
DREAD, 56  
DREAD Register A Error Bits, 65  
DRQ, 40, 47  
DRQ bit, 71, 72  
DSKERR, 66  
DWRITE, 56, 66  
DWRITE Register A Error Bits, 66

## SUBJECT INDEX

### D, CONT.

#### Data

- field, 29
- organization of, 28
- transfer, 40, 55, 56, 66, 71

Data output register, 36

Data register

- 1791, 48
- UART, 54

Disk transfer, 61, 62, 63

Diskette, 16

- Backup copy, 16, 17
- Formatting, 16
- Initialization, 16

Double density, 1, 2, 29, 31, 32, 33, 62, 63, 71

Drive Connection, 13

Drive Control register, 39

Drive Interface Signal Summary, 75

Drive Select register, 41

Drive signal line, 40, 41

Drive termination, 12

Dynamic memory, 27

### E

EPROM Subroutines (Disk Controller), 61

Excessive heat or smoke, 14

### F

FLAGS register (CPU), 54, 55

Floppy disk drive, 10, 11, 12

Fujitsu 8866, 43

Function register, 41

### H

HDO, 42

HD1, 42

HEAD, 37

Header field, 29

### I

I/O Registers, 34

I/O connectors, 2, 10

I/O devices, 10, 11

I/O subroutines, 50

INDEX, 37

INTDSBL, 40

INTRQ, 37

INTRQ line, 71

Index signal, 47

Interrupt, 3, 7, 20, 21, 39, 40

## SUBJECT INDEX

### J

Jumper Pad Layout, 21

#### Jumpers

for multiple drives, 40  
interrupt, 21  
options, 3, 7, 18  
setting, 8

### L

$\overline{\text{LED}}$ , 14, 16, 41, 67, 69

LEDOFF, 42

### M

Molex connector, 10, 11, 54, 79, 80

Morrow Designs DISCUS system, 11, 15

Morrow Designs Decision 1, 24

Morrow Designs MPZ80 CPU, 24

Multiple Drive Connections, 12

### N

$\overline{\text{N2SIDED}}$ , 37

Negative logic, 34

### P

$\overline{\text{P1}}$ , 10, 11, 12

P2, 10, 15, 79, 80

P2 pin connections, 77

PHANTOM signal, 3, 4, 5, 7, 8, 23, 24

POC, 18, 19

PRESET, 18, 19

Parity, 3, 6, 26

Parity Switch Setting, 26

Positive logic, 36

Power-On Jump, 3, 4, 5, 16, 21, 23

Power-On Jump Switch Settings, 22

Power-On Jump Table, 23, 74

pRDY, 27, 40

### R

READ, 63

READY, 37

RESET, 40

ROM Jump Table, 50

RS-232 Male Connector Pinout, 79

Read Header, 63, 64

Read only register, 52

Read/Write Head Functions, 42

Read/write register, 52

Register 0, 36, 39

Register 1, 36, 39

## SUBJECT INDEX

### R, CONT.

Register 2, 37, 41  
Register 3, 38, 42  
Register 4, 38  
Register 4 (READ), 47  
Register 4 (WRITE), 43  
Register 5, 48  
Register 6, 48  
Register 7, 48

### S

SECLen, 64  
SECTOR, 61  
SELDRV, 55, 62  
SETDEN, 62, 63  
SETDMA, 56, 61  
SETSEC, 56  
SETSID, 55, 62, 67  
SINGLE, 42  
SOL computer, 23  
STATUS, 67  
Serial I/O, 54  
Serial Port, 3  
Serial Port Switch Setting, 51  
Serial port, 3, 11, 15, 25, 51, 54, 79  
Shipping damage, 3  
Shugart 800/850, 2  
Single Drive Connections, 12  
Single density, 1, 2, 16, 29, 30, 62, 63, 66  
Stall logic, 39, 72  
Status register, 36, 37, 47  
    1791 controller, 38, 47, 65, 66  
    Disk Jockey, 37  
    UART, 36, 52, 55  
Stop Bit Count, 3, 6, 26  
Switch 1, 4, 5, 21, 22, 24, 74  
Switch 2, 6, 25, 26

### T

TBRE bit, 52, 54  
TERMIN, 54  
TKZERO, 56, 63  
TPANIC, 54  
TRKSET, 56, 61  
TRMOUT, 54  
TSTAT, 55

### U

UART Data Input register, 39  
UNIX, 21

### W

Wait state, 24, 40, 71  
Word Length, 6, 25  
Write protected diskette, 15, 48